

SPECIFICATION

Operating voltage 12V dc
Current consumption 55mA
Operating temperature 5°C to +40°C
Weatherproofing IP30 (Indoor use only)
Dimensions 85mm(W) x 65mm(H) x 20mm(D)
Package weight 0.07Kg
Approvals CE directive 93/68/EEC
EMC directive 89/336/EEC,
BS EN 50081-1 : 1992, BS EN 50082-1 : 1992



INSTALLATION

1809

Securilite IBX Command Centre



39c Churchill Way, Lomeshaye Ind. Est., Nelson, Lancs. BB9 6RT (UK)
Tel: 01282 695500 Fax:01282 695511 Helpline 09066 191 133*
Email : sales@voltek.co.uk Website : www.voltek.co.uk

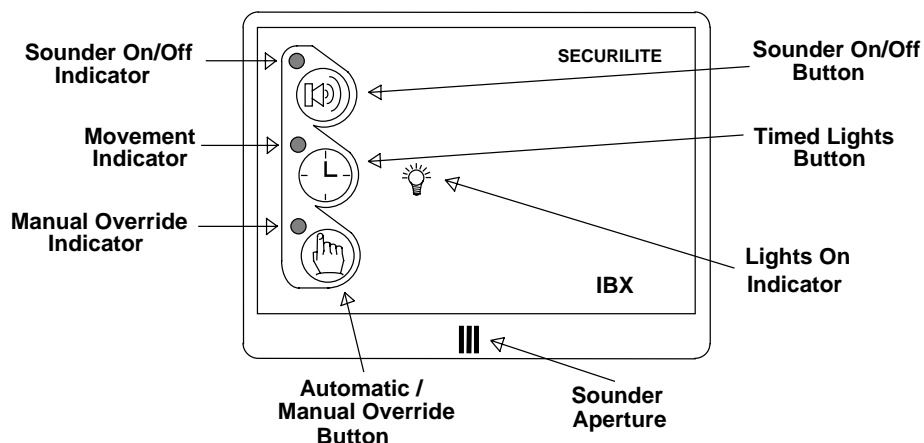
*Helpline calls cost 60p/min. Open 9am-5pm, Mon-Fri
Specifications subject to change without notice. © Voltek Automation Ltd 2000 Iss 5

INSTRUCTIONS

Thankyou for purchasing the IBX Command Centre. Please read these instructions carefully before starting the installation.

FEATURES

- Audible & visual indication of detection by a PIR sensor for one zone of lighting.
- Internal sounder beeps whenever movement is detected.
- Manual lights-on feature.
- Touch sensitive buttons.
- Timed Lights feature.
- 12V dc 4-wire connection.
- Additional sounders can be wired into the IBX.
- Multiple IBX Command Centres can be used.

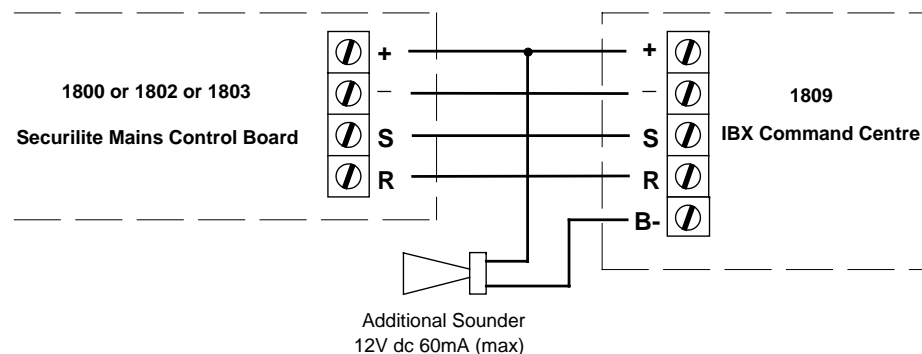


SITING THE UNIT

The unit may be installed at any convenient indoor location where the device will not be subject to excessive heat or moisture.

INSTALLATION

1. Pull the lid off the back part of the enclosure using your fingers.
2. Fix the back part of the enclosure to the chosen surface.
3. Run a 4 core alarm cable from the Securilite Lighting Control Unit to the IBX Command Centre and connect as shown over.



4. Push the front enclosure back into position carefully.

UNIT OPERATION

The Securilite system is a security system and therefore this command centre will not allow you to disable the outside lighting. If an intruder walks in front of a PIR sensor, the lights will always come on.

Sounder On/Off Button - Press this to arm or disarm the internal sounder and any additional sounders connected to the **B-** terminal. When armed, indicated by the **Sounder LED** being ON, the sounders will activate whenever movement is sensed by a PIR detector, day or night.

Timed Lights Button - This will turn on the external lights and hold them on for the duration of the timer set in the lighting control unit, after which time the lights will automatically turn off. (Night time only)

Manual Override Button - Press this button to manually switch the lights on. The lights will stay on until the manual mode is switched off. The **manual override indicator** shows when this feature is on.

Movement Indicator - This will light up whenever a PIR detector is sensing movement, regardless of whether it is day or night or if the sounder is on or off.

Lights On Indicator - This will indicate to you that the outside lights are on.

Sounder Time Adjustment - The internal and external sounders (if fitted) will stay on for as long as a person is moving in front of a PIR sensor. Turn this adjustment to increase the duration of the sounder time. up to 10 seconds after movement has stopped.