

CT255 Installation Instructions

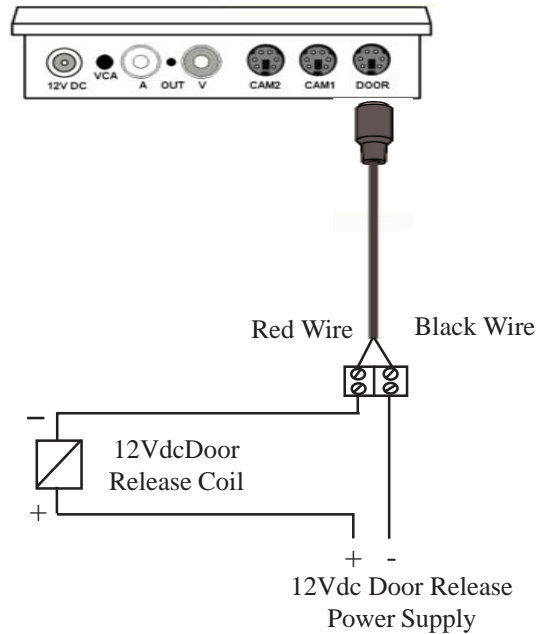
Thank you for purchasing the CT255 15 Metre Door Release Cable.

Please install the door release mechanism using instructions supplied.

Run the CT255 cable from your Chime Box to your door release mechanism.

If the CT255 cable is too short the CT251 Extention Cable may be used.

Please follow the wiring diagram below when connecting your door release mechanism to the CT255 Door Release Cable.



The insallation is now complete. To release the door press and hold the Door button on your Chime Box for 2 seconds, the output will activate for 5 seconds.

Specification

| | |
|-------------|-----------------------|
| Output | Transistor 0V Trigger |
| Voltage | 12 Vdc |
| Max Current | 1A (12vdc) |
| Black Wire | 0V Ground |
| Red Wire | 0V Trigger |

39c Churchill Way, Lomeshaye Ind. Est., Nelson, Lancs. BB9 6RT,
England

Tel: (01282) 695500 Fax: (01282) 695511
Helpline: 09066 191 133*

Email: sales@voltek.co.uk Web site www.voltek.co.uk

CT255 Installation Instructions

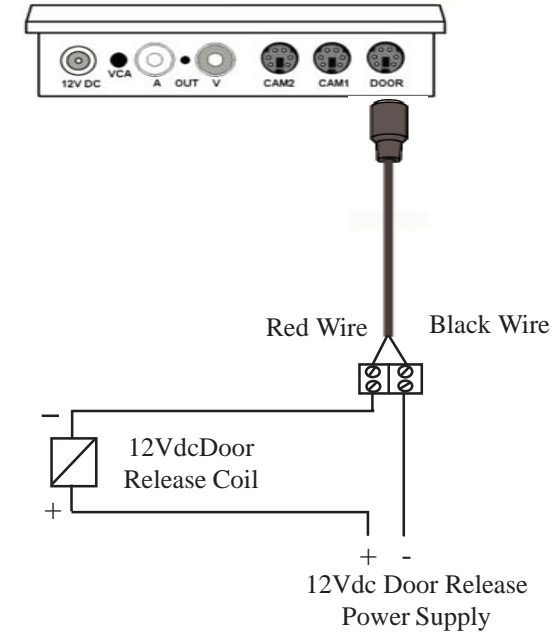
Thank you for purchasing the CT255 15 Metre Door Release Cable.

Please install the door release mechanism using instructions supplied.

Run the CT255 cable from your Chime Box to your door release mechanism.

If the CT255 cable is too short the CT251 Extention Cable may be used.

Please follow the wiring diagram below when connecting your door release mechanism to the CT255 Door Release Cable.



The insallation is now complete. To release the door press and hold the Door button on your Chime Box for 2 seconds, the output will activate for 5 seconds.

Specification

| | |
|-------------|-----------------------|
| Output | Transistor 0V Trigger |
| Voltage | 12 Vdc |
| Max Current | 1A (12vdc) |
| Black Wire | 0V Ground |
| Red Wire | 0V Trigger |

39c Churchill Way, Lomeshaye Ind. Est., Nelson, Lancs. BB9 6RT,
England

Tel: (01282) 695500 Fax: (01282) 695511
Helpline: 09066 191 133*

Email: sales@voltek.co.uk Web site www.voltek.co.uk