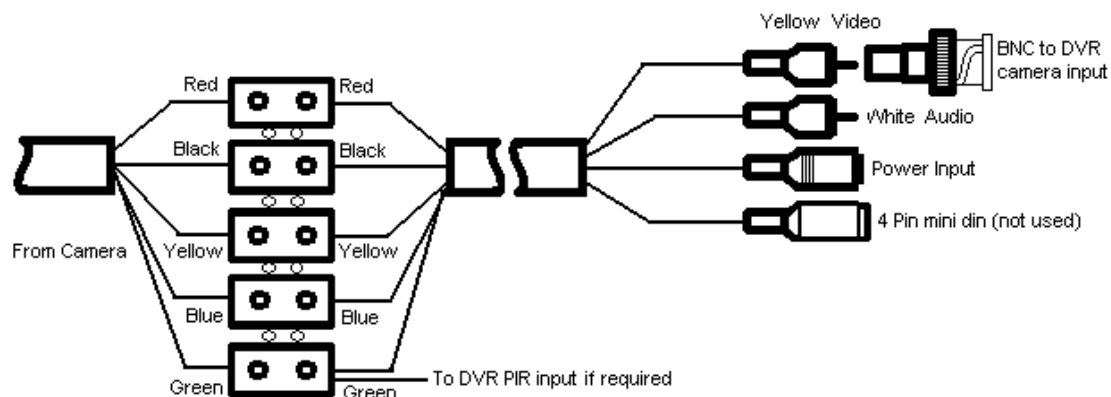


## DVR Connecting lead for : CT, SP and Eyecam cameras

Contents: 1 x 2m Lead, 1 x BNC, 1 x 5 way terminal block



### Connection Method

- 1) Cut the 6 pin RJ12 (4 Pin RJ11 if Spectrum camera) connector (telephone type clear) on the end of your camera lead (scart plug side) off.
- 2) Strip back the outer insulation by about 30mm, exposing the 6 wires (4 wires if Spectrum camera).
- 3) Cut off the blue and green if you are not using audio and alarm signal. The white wire can be cut as it is not used.
- 4) Strip back the insulation on the wires by about 5mm.
- 5) Bend the exposed conductor back on itself
- 6) Insert the wires into the terminal block, matching the colours, one by one and screw them down.
- 7) Connect the BNC terminated wire to your DVR camera input.
- 8) Connect the White phono terminated wire to your Audio input (if applicable)
- 9) Connect the Green wire to your PIR input which provides +12v in normal operation and 0V when in alarm, you will need to use the Black wire as well as the ground connection if you are connecting to a alarm input.
- 10) Connect your existing power supply to the power input jack
- 11) If you have a keypad you can connect it to the 4 pin mini din connector on your existing lead. To give you audible warning when movement is detected.