

INSTALLATION INSTRUCTIONS

Ceiling Mount PIR Sensor

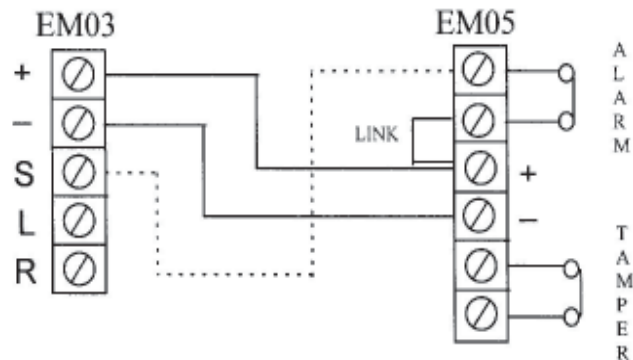
Thankyou for purchasing the EM05. Please read these instructions carefully before starting the installation.

The EM05 is a passive infra-red (PIR) sensor that will mount onto a ceiling and will detect people entering into the room. The EM05 has a relay output can be used to signal devices such as an intruder alarm or Lighting controller, such as the EM03.

PRODUCT FEATURES

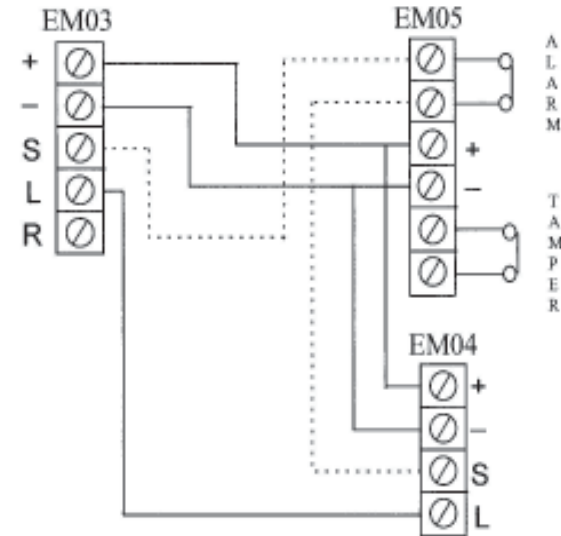
- 11metre (36 feet) diameter detection pattern.
- Adjustable pulse count for very low false alarms
- LED movement indicator (can be disabled)
- Tamper detection with seperate detection pattern.
- Low voltage (12Vdc) and very low current consumption.

If you are using any EM04 PIR sensors, connect as follows.



Note: For the above diagram the light level adjustment will be disabled. For the light level adjustment to operate there must be one EM04 connected to the EM03.

If you are using the EM04 PIR sensors, connect as follows.



Coverage	:360° 11 meter diameter conical pattern when installed on a 3.6meter ceiling
Mounting Height	:3.6 Meters
Operating Voltage	:8-16VDC
Current Consumption	:15mA
Alarm Output	:Normally Closed (fail safe) relay dry contact 0.5A / 24 VDC
Alarm Period	:2-3 seconds with walk test LED indication
Tamper output	:Normally Closed micro-switch dry contact
Pulse Counter	:“1” or “2” counting selectable
LED Selector	:“ON” or “OFF”



39c Churchill Way, Lomeshaye Ind. Est., Nelson, Lancashire. BB9 6RT, England
 Tel (01282) 695 500 Fax (01282) 695 511 International (+44 1282)
 Email: info@voltek.co.uk Website www.voltek.co.uk