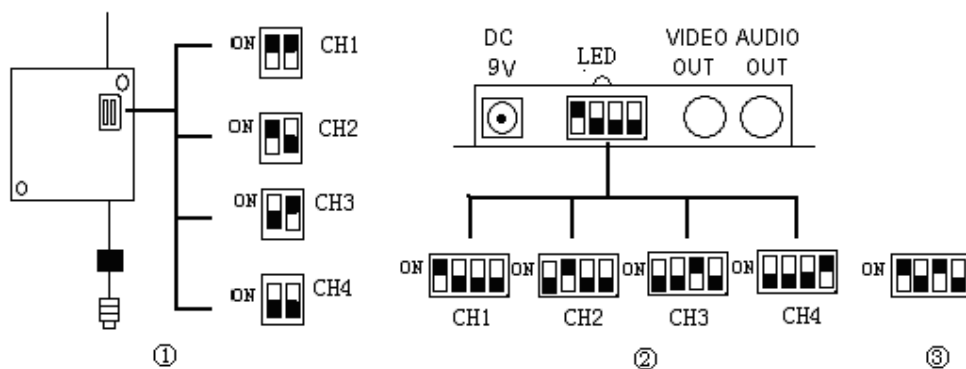


VOLTEK SC 6018 Kit User's Manual

OPERATION

1. Plug in the power transformer (9V/500mA) to the DC socket of the receiver. When power is applied the red power indicator light will light up.
2. Connect the yellow & white Phono plugs of the A/V cable to the yellow (video) & white (audio) sockets on the receiver and the other either directly to the Monitor or Recorder or by the use of the Scart adaptor provided. To view the receiver out put select the AV Channel on the Monitor/Recorder.
3. Connect the power transformer (7V/500mA) to the camera (A PP3 or Battery of the same voltage is acceptable).
4. Make sure that the Camera has had the same Channel selected (Fig 1) as the receiver (Fig 2), then the Camera image will be shown on the monitor.
5. If necessary it is possible to slightly adjust the focus of the camera by moving the front of lens using a small screwdriver or pen tip in either of the 2 indentations on the front.
6. In case of any interference with any other wireless devices the channel settings are as follows:
CH1: 2410MHZ CH2: 2430MHZ CH3: 2450MHZ CH4: 2470MHZ.
7. If more than 1 Camera is required you can add to the system by Purchasing up to 3 additional Camera
Each Camera must be set to a separate Channel number & that Channel must also be set on the Receiver as Fig 3. The Cycle time between each Channel is 6 Seconds



NOTICE

1. Use within a building or metal obstacles in transmission course may slightly affect the image quality
2. It's normal in case the product slightly warms up during operation.
3. Please contact Voltek on 0906 6191133* on our technical help line if required.
4. All items come with a 12 Months parts warranty

FUNCTION

1. Suitable for monitoring children, elders, residents, offices, shops and factories, etc.
2. Voltek takes no responsibility for any incorrect use of these products.

STANDARD ACCESSORIES

No.	Name	Unit	Amount
1	Power Transformer	Piece	2
2	Battery Cable	Set	1
3	A/V Cable	Set	1
4	Scart Adaptor	Piece	1

SPECIFICATIONS

Imaging Sensor	Inch	1/3" CMOS
CMOS Total Pixels	Pixels	510×492 (NTSC)
Pixel Dimensions	µm	9.2×7.2
Minimum Illumination	Lux	1.5Lux/F1.5
Horizontal Resolution	TV Line	380
White Balance Mode		AWB (Zero Color Rolling)
White Balance Range	°K	3,200~10,000
Gain Control		AGC
S/N Ratio	dB	48(Min)
Electronic Shutter	Sec	1/50~1/10,000
Frequency	MHz	2410-2470 4CH
Operation Current	mA	Transmitter: 110
		Receiver: 350
Operating Temperature	°C	-20~+50
Storage Temperature	°C	-40~+85
Operating Humidity	RH	85%
Dimensions (W×L×H)	mm	Camera/Transmitter 25.5×25.4×18
		Receiver 115×80×20
Weight	g	Transmitter: 35
		Receiver: 138
Unobstructed Effective Range	m	Indoor: 20-50
		Outdoor: 100-150



39c Churchill Way, Lomeshaye Ind. Est., Nelson, Lancashire. BB9 6RT, England

Tel (01282) 695 500 Fax (01282) 695 511 International (+44 1282)

Email: info@voltek.co.uk Website www.voltek.co.uk

*Helpline calls cost 60p/minute. Open 9am to 5pm, Mon to Fri.

Voltek reserves the right to change any product or specification without notice.