

POSITIONING THE CAMERA

The Day Night camera is suitable for indoor or outdoor use. Please bear in mind the following points when choosing a mounting position.

- The camera must be positioned so that it will not point directly into the sun (sunrise and sunset) or any bright light or any very bright light. This may cause damage to the camera.
- The best viewing angle is achieved when mounted at approx 3 to 4 metres high, with the camera pointing downwards.
- Avoid viewing areas where half the area is in bright sunlight and the other half is dark, such as in the shadow of a building. All types of cameras have difficulty in 'seeing' with such a large lux level variation.
- Ensure a light is fitted near to the camera for night-time operation.
- The camera cable supplied may be extended up to approximately 100 metres.

When laying the RG59 Camera cable, please bear in mind the following points.

- Keep the cable away from other cables where possible to reduce the risk of picture interference.
- Avoid laying the cable next to anything which runs hot which could burn the cable. If the cable is run along the ground, a protective covering must be used to prevent damage to the cable.

For any further information on Voltek camera products or accessories please contact Voltek sales line.

SPECIFICATIONS

Camera	Operating Voltage	12V dc
	Current Consumption	1200mA Max
	Camera Type	1/3 " Sony Super HAD CCD
	Horizontal Resolution	520 TV lines,
	Lens	3.5mm-8mm (92-30 ° viewing angle)
	Minimum Illumination	0.3 Lux F1.2 / 0 Lux IR On 15m Max
	IR LED	36 High Intensity Units
	Video Signal Output	1Vpk-pk Comp Colour PAL
	Operating Temperature	-20°C to +50°C
	Weatherproofing	IP65
Camera Lead	Connection	30cm Lead With BNC Socket 2.1mm Power (Centre Positive)

WARRANTY

This product has a twelve month manufacturers warranty. In the unlikely event that you encounter a problem with this product, please telephone the Voltek helpline on 09066 191 133*. Should the problem not be resolved with assistance over the telephone it should be returned to the place of purchase or direct to Voltek.



Churchill Way, Lomeshaye Industrial Estate, Nelson, Lancashire, BB9 6RT, England

Tel: (01282) 695 500 Fax: (01282) 695 511 Helpline 09066 191 133*

Email sales@voltek.co.uk Website www.voltek.co.uk

*Helpline call cost 60p/minute. Open 9am to 5pm, Mon to Fri.

Voltek reserves the right to change any product or specification without notice

(c) 2002 Voltek Automation Ltd. Issue 1

INSTALLATION

VPCDN5

Day Night Camera

Thank you for purchasing the VPCDN5 Day Night Camera. Please study these instructions carefully before attempting to operate the unit.

The Day Night Camera can be used indoors or out allowing you to watch the desired area such as the drive way, garden, baby room etc.

PRODUCT FEATURES

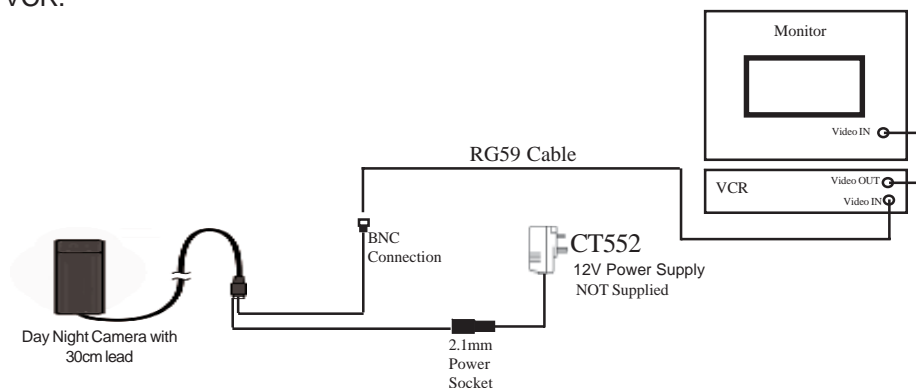
- Simple plug-&-go connections for a fast and simple installation.
- Full pan and tilt adjustment so that you can watch your desired area easily.
- Built in IR LED's for night time operation.
- Picture automatically changes from colour to B&W in low light levels.

INSTALLING THE CAMERA

Before you install the camera and cables, we recommend that you temporarily connect the camera to your Monitor or VCR (video cassette recorder) to help determine the best position for the camera.

CONNECTION EXAMPLE

The Day Night Camera will connect to a BNC Connection on your Monitor or VCR.



INSTRUCTIONS